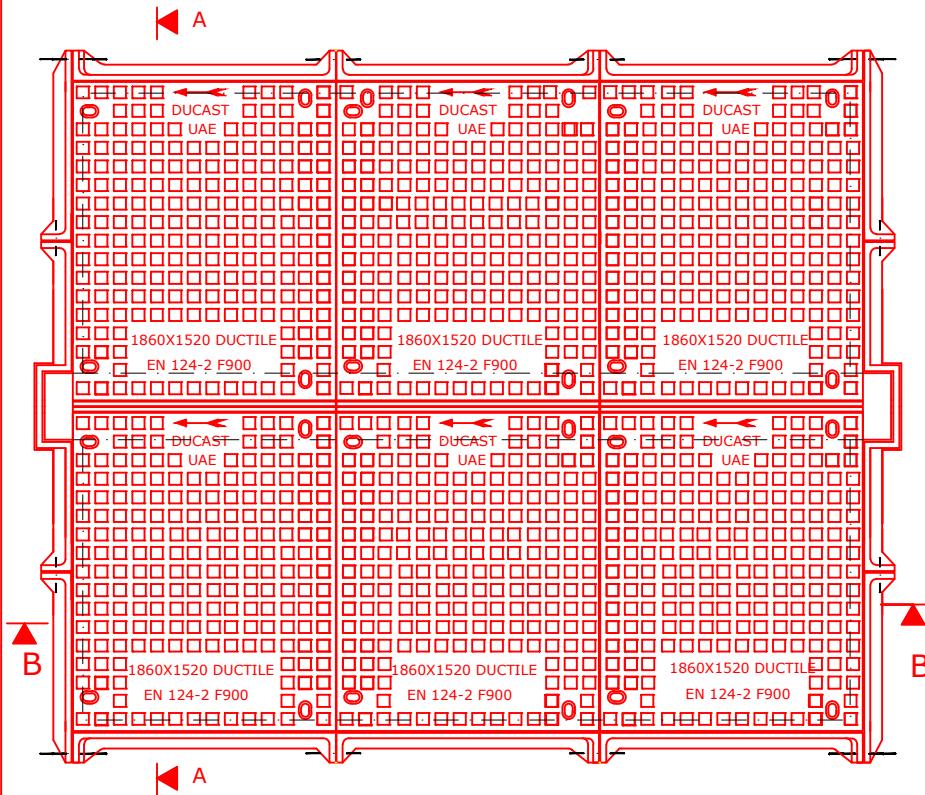
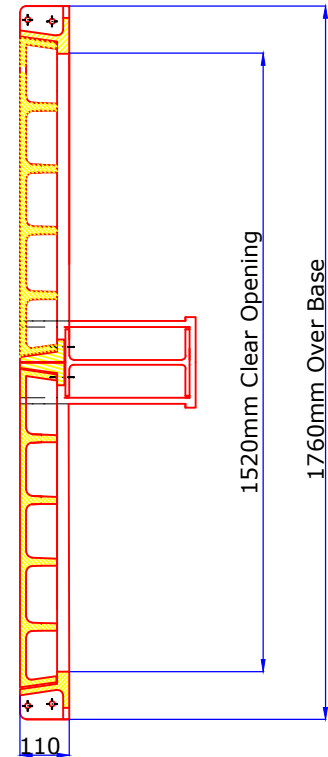


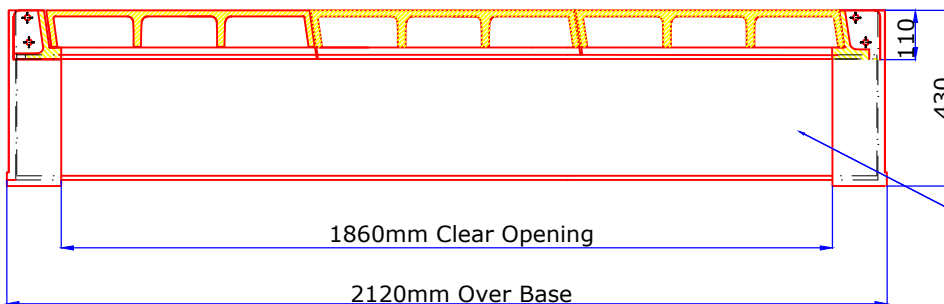
COVERS SLIDE OUT DIRECTION



Plan View of Cover & Frame



Section A-A



Section B-B

305x165x54  
 Removable "I"  
 Beam

DATE : 09-07-09	<u>DESCRIPTION :</u>  1860x1520MM CLEAR OPENING DUCTILE IRON LOADING CLASS F 900 SOLID TOP MULTIPLE SLIDE OUT COVERS (6-NOS) & FRAME WITH REMOVABLE "I" BEAM	REV : 0
DRAWN BY : GK		SCALE : NTS
CHECKED BY: KM		ALL DIMENSIONS ARE
APP.BY: AB		IN MM