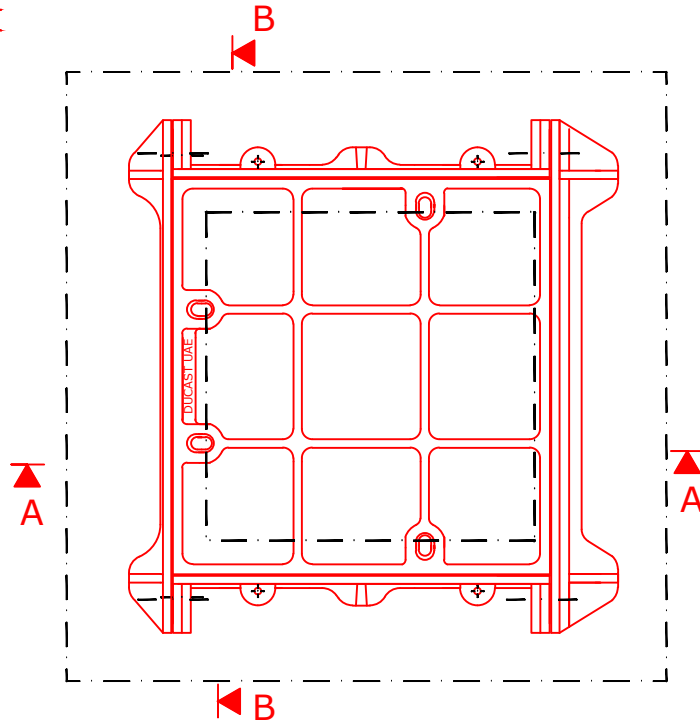
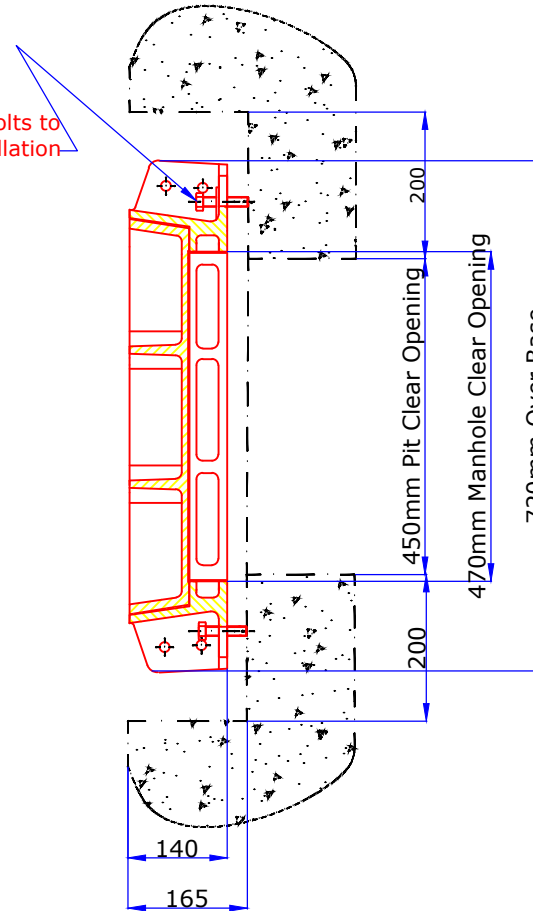


Slide out direction



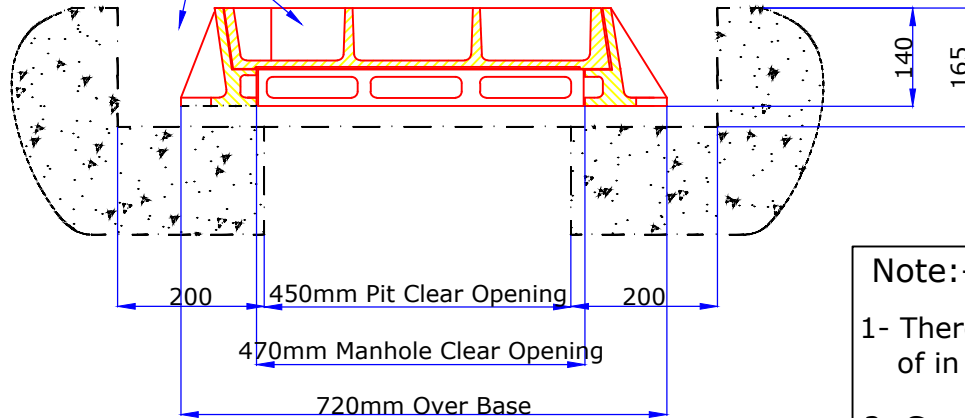
Plan View of Cover & Frame

Frame leveling bolts to assist installation



Section B-B

Covers & rebate to be filled with C45/10 concrete during installations



Section A-A

Note:-

- 1- There is no provision GRP seal plate of in this design.
- 2- Graphite Grease to be applied on machined portion to obtain water tightness.

Note:
1). All Clear Opening and Over Base
Tolerances will be +15mm
- 0.0MM

REVISION	DESCRIPTION	DATE
PROJECT TITLE		

DRAWING TITLE
**450X450MM PIT CLEAR OPENING
 470X470MM MANHOLE CLEAR OPENING
 LOADING CLASS F 900 MACHINE
 SEATED SLIDE OUT RECESSED DUCTILE
 COVER & FRAME AS PER EN 124-2015**



DATE	DESIGNED.	DRAWN.	CHECKED.
Oct-2018	AB	SGK	AB
DRAWING No.	REVISION	SCALE	NIS
DI-45F-1P	0		

ALL DIMENSIONS ARE IN MM